

Name: _____

PO#: _____

Signature: _____

Your signature ensures you receive the correct mattress.

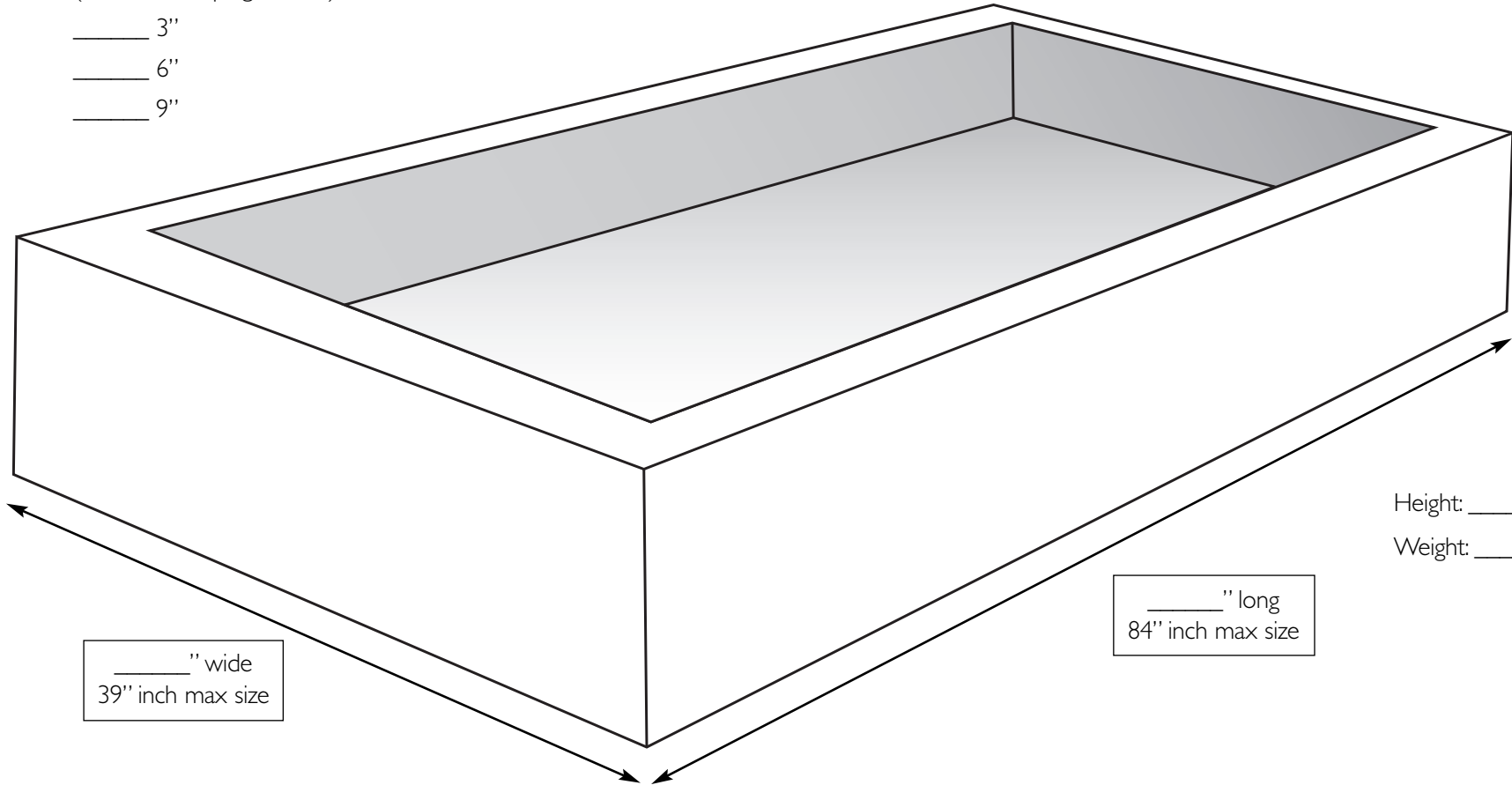


Harvey Instruments, Inc.
18 McConkey Drive
Buffalo, NY 14223
Phone: 716-874-6694
Fax: 716-876-6423

Visa & MasterCard Accepted
Prices subject to change.
1/04

Height of Sides
(from the sleeping surface)

- _____ 3"
- _____ 6"
- _____ 9"



Remember to mark your cut-out
(18" or more)

Is a replaceable insert needed?

Yes No